

SIAMP

Sanitary expertise & water friendly

CONCEALED SOLUTIONS FOR SANITARYWARE



CONCEALED CISTERNS FOR BACK TO WALL SANITARYWARE

Intended for concealed installations for back to wall WCs.

INSTALLATION

BEHIND CLADDING

Intraslim is the product for this type of installation as the flush plate acts as an access panel that will allow for easy maintenance.

Intraslim is a versatile installation product thanks to its 90 mm depth. It can be fixed into a wet wall via masonry or into a light wall using light cladding.

Intraslim Pneumatic allows for remote flushing up to 2m away. The cistern can be reversed 180° for installation in commercial dry risers, for ease of maintenance access.

FURNITURE INSTALLATION

Intra has been the choice of bathroom furniture manufacturers for many years, with its compact dimensions, pre-assembled fittings, adjustable flushpipe and access panel for easy maintenance.

Intra is the ideal solution.

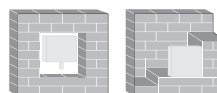


EN 14055
Type 1 or 2

BACK TO WALL SANYTARYWARE



WET WALL



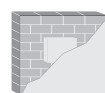
p . 11



INTRASLIM WET WALL :
- FRONT COMMAND
- REMOTE COMMAND PNEUMATIC

p. 11

LIGHT WALL



p . 11



INTRASLIM BRACKET LIGHT WALL
- FRONT COMMAND
- REMOTE COMMAND PNEUMATIC

p. 11

FURNITURE




p . 11



INTRA FURNITURE REMOTE COMMAND
- CABLE
- PNEUMATIC

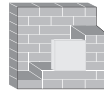
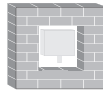
p. 11

QUICK REFERENCE MATRIX

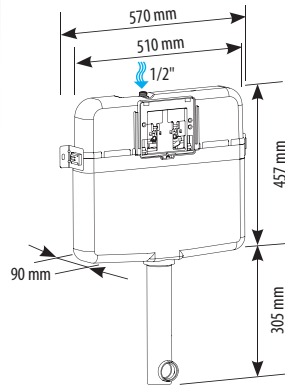
CISTERNS		INTRASLIM	INTRASLIM BRACKET	INTRA FURNITURE
Installation	Sanitaryware	Back to wall bowl	Back to wall bowl	Back to wall bowl
	Recessed into	Wet wall	Light wall	Furniture
	Height	Standard	Standard	Low
	Command position	Front/Offset	Front/Offset	Offset
Inner equipment	Mechanical outlet valve	•	•	
	Cable outlet valve			•
	Pneumatic outlet valve	•	•	•
	Quiet fill	•	•	•
	Connection	Brass	Brass	Brass or plastic
Water supply	Top	•	•	
	Side			•
	Bottom			•
Dimensions	Width (mm.)	510/570	510/570	460
	Height (mm.)	457	457	445 ~ 545
	Depth (mm.)	90	90	127
	Wall fixing centers	537 - 557	537 - 557	230
 EN 14055 Type 1 or 2		•	•	•



BACK TO WALL - WET WALL



EN 14055
Type 1 or 2



INTRASLIM

Slim 90 mm

- Concealed wet wall installation
- Insulated to prevent condensation
- Double flush front plates or remote pneumatic buttons
- Adjustable, **mechanical or pneumatic**, outlet valve
- Adjustable compact 95L quiet fill valve
- Stop valve
- 1/2" M outer water connexion

BACK TO WALL - LIGHT WALL

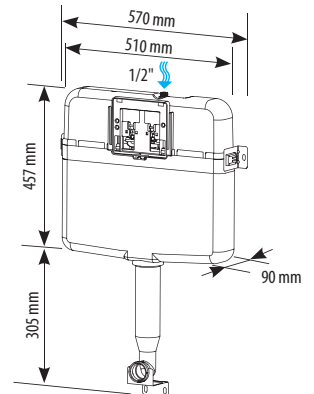


EN 14055
Type 1 or 2

INTRASLIM BRACKET

Slim 90 mm

- Concealed light wall installation
- Insulated to prevent condensation
- Double flush front plates or remote pneumatic buttons
- Adjustable, **mechanical or pneumatic**, outlet valve
- Adjustable compact 95L quiet fill valve
- Stop valve
- 1/2" M outer water connexion
- Supply bent front or back fixing bracket
- Reversible cistern (remote pneumatic)



BACK TO WALL - FURNITURE

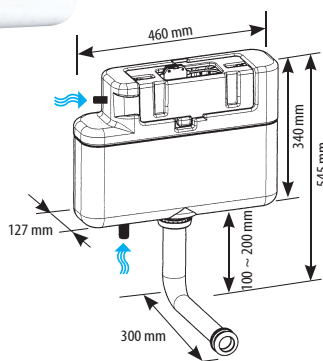


EN 14055
Type 1 or 2

INTRA FURNITURE REMOTE COMMAND

Fits 500mm wide compact furniture Remote command

- Concealed furniture installation
- Insulated to prevent condensation
- Adjustable mechanical or pneumatic outlet valve
- **Double or single flush remote buttons**
- Fill valves: (All of them can be 1/2" or 3/8" brass or plastic end)
- Low connection Compact 99B
- Low connection Compact 100 delayed action
- Side connection Compact 95L
- Access cover allows for top and front entry for maintenance
- Height and depth adjustable flush pipe



CONCEALED SOLUTIONS FOR WALL HUNG SANITARYWARE

Following pages present a wide bunch of solutions for wall hung sanitaryware.

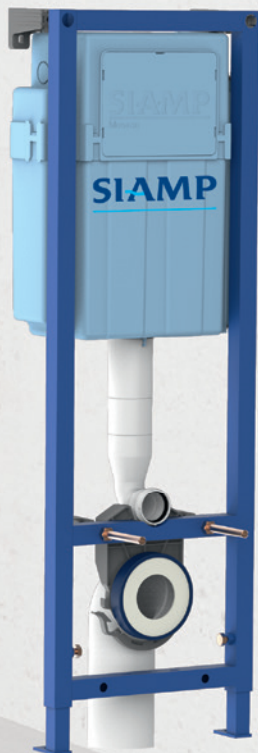
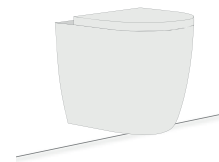
Wall hung sanitarywares is one of the pathway for creating a bathroom representing who you are.

Technic is not visible anymore for enjoying the essential functions and design of sanitarywares.

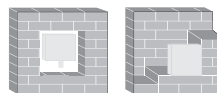
Are concerned, WCs, bidets, washbasins, urinals for creating up-to-date bathrooms.



WALL HUNG SANITARYWARE



WET WALL



p . 16



INTRASLIM HALF FRAME

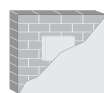
p. 16



INTRASLIM WET/LIGHT WALL + SCB 350

p. 16

LIGHT WALL



p . 17 / 22



INTRASLIM FULL FRAME

p. 17



536 CISTERN FRAME

p. 18



INGENIO CISTERN FRAME

p. 19



VERSO 800 CISTERN FRAME

p. 20



WASHBASIN LIGHT WALL

p. 21



URINAL LIGHT WALL

p. 21



BIDET LIGHT WALL

p. 21



SCB 350 WC / BIDET FRAME

p. 22

FURNITURE



p . 22 / 23



INTRA FURNITURE REMOTE COMMAND + SCB 350


p. 22



790 CISTERN FRAME

p. 23

QUICK REFERENCE MATRIX

CISTERNS		INTRASLIM HALF FRAME	INTRASLIM WET/LIGHT WALL + SCB 350	INTRASLIM FULL FRAME	536	INGENIO
Installation	Sanitaryware	Wall hung bowl	Wall hung bowl	Wall hung bowl	Wall hung bowl	Wall hung bowl
	Recessed into	Wet wall	Wet wall	Light wall	Light wall	Light wall
	Height	Standard	Standard	Standard	Standard	Standard
	Supporting frame		SELF-STANDING SCB 350	WALL FIXATION	SELF-STANDING WALL FIXATION	SELF-STANDING WALL FIXATION
	Command position	Front/Offset	Front/Offset	Front/Offset	Front	Front
Innerequipment	Mechanical outlet valve	•	•	•	•	•
	Cable outlet valve					
	Pneumatic outlet valve	•	•	•		
	Water saving inlet valve					•
	Quiet fill	•	•	•	•	Quieto OD
	Connection	Brass	Brass	Brass	Brass	Brass
Water supply	Top	•	•	•	•	
	Side					•
	Bottom					
	Back					
Dimensions	Width (mm.)	510/570	510/570	572/596	410/350	350
	Height (mm.)	457	457	1112 ~ 1212	1100 ~ 1200	1100 ~ 1300
	Depth (mm.)	90	90	123/93 ~ 245	135 ~ 245	145 ~ 240
	Wall fixing centers	537 - 557	537 - 557			
 EN 14055 Type 1 or 2		•	•	•	•	•

QUICK REFERENCE MATRIX

VERSO 800	BIDET LIGHT WALL	WASHBASIN LIGHT WALL	URINAL LIGHT WALL	790	INTRA FURNITURE + SCB 350
Wall hung bowl	Wall hung bidet	Wall hung washbasin	Wall hung urinal	Wall hung bowl	Wall hung bowl
Light wall	Light wall	Light wall	Light wall	Furniture	Furniture
Low	Standard	Standard	Standard	Low	Low
SELF-STANDING WALL FIXATION	WALL FIXATION	WALL FIXATION	WALL FIXATION	SELF-STANDING WALL FIXATION	SELF-STANDING SCB 350
Top				Front	Offset
•				•	•
					•
					•
•					
•				•	•
Brass	Brass	Brass	Brass	Brass	Brass or plastic
•					
				•	•
					•
•	•	•	•		
400	500	410	410	502	460
800 ~ 1000	1140 ~ 1340	1260 ~ 1460	1140 ~ 1340	502	460
180	max 260	max 260	max 260	150 ~ 245	127
•				•	•

WALL HUNG SANITARY STANDARD HEIGHT - **WET WALL**

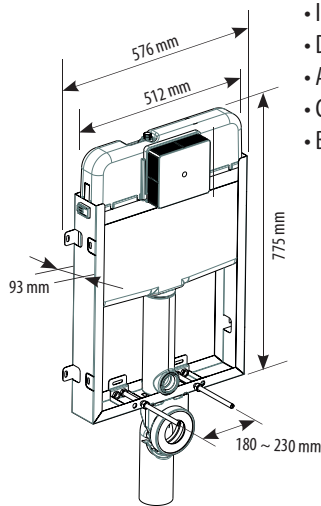


INTRASLIM FRAME

Slim 90 mm

Fits into 90 mm thick blocks

- Wall fixing structure load bearing to 400kg
- Concealed wet wall installation
- Insulated to prevent condensation
- Double flush front commands or remote pneumatic buttons
- Adjustable **mechanical or pneumatic** outlet valve
- Compact 95L inlet valve
- Brass stop valve



Includes 90° drain connection kit:

- HDPE Ø 90 mm male
- HDPE Ø 100 mm male
- HDPE Ø 110 mm male
- PVC Ø 100 mm male



INTRASLIM WET/LIGHT WALL + SCB 350

Slim 90 mm

Self-supporting

INTRASLIM WET/LIGHT WALL

- Concealed wet wall installation
- Double flush front commands or remote pneumatic buttons
- Adjustable mechanical or pneumatic outlet valve
- Adjustable noiseless float valve

SCB 350

- Self-supporting structure load bearing to 400kg
- Accepts flush supply sleeves from Ø30 to Ø50mm
- Accepts WC drain connections from Ø90 to Ø120mm



WALL HUNG SANITARYWARE STANDARD HEIGHT - LIGHT WALL



WALL INTRASLIM LOW DEPTH

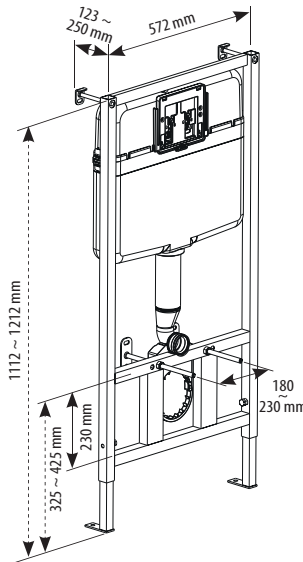
Supporting wall fixation

WALL INTRASLIM

Slim for narrow depth installation



- Concealed light wall installation
- Structure load bearing to 400kg
- Insulated to prevent condensation
- Double flush front commands or remote pneumatic buttons
- Adjustable, mechanical or pneumatic, outlet valve
- Compact 95L inlet valve
- Brass stop valve



Optional drain connection kit :

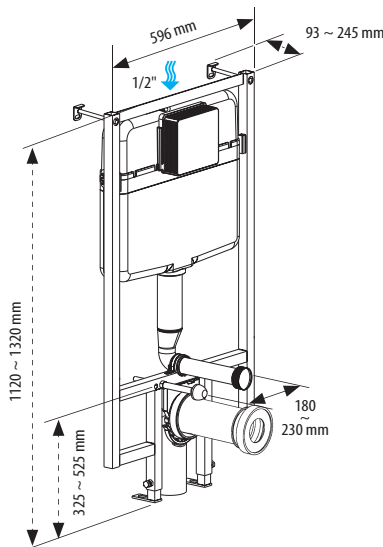
- HDPE Ø 90 mm male
- HDPE Ø 100 mm male
- HDPE Ø 110 mm male
- PVC Ø 100 mm male

WALL INTRASLIM VERY LOW DEPTH

Supporting wall fixation



Fits into a 90 mm block





536
Supporting wall fixation



536 CISTERN FRAME

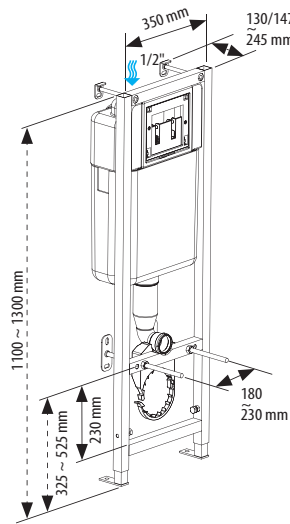
Tall & compact

Secure water connection inside the cistern

- Concealed light wall installation
- Structure load bearing to 400kg
- Dual flush, onsite adjustable mechanical flushing
- Insulated to prevent condensation
- Compact 95L inlet valve
- Brass stop valve

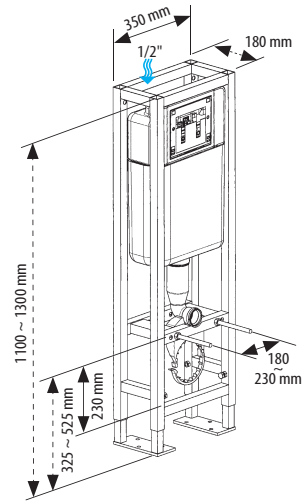
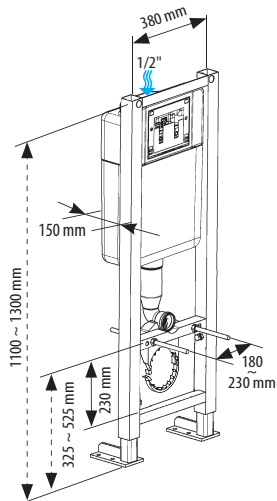
Optional drain connection kit :

- HDPE Ø 90 mm male
- HDPE Ø 100 mm male
- HDPE Ø 110 mm male
- PVC Ø 100 mm male



536
Universal fixation :
Supporting ground and/or supporting wall

536
Supporting ground fixation

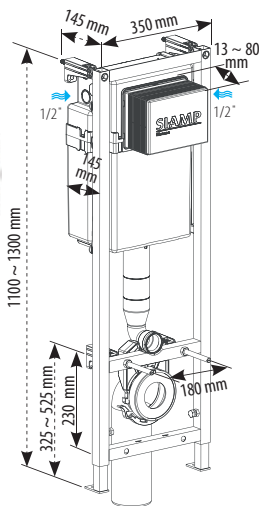




WALL HUNG SANITARYWARE STANDARD HEIGHT - LIGHT WALL

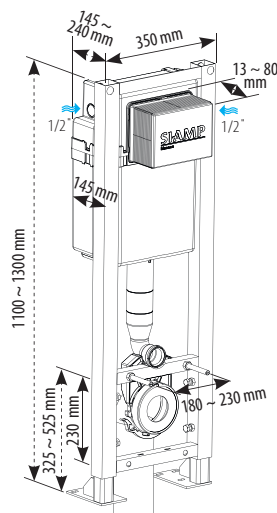
INGENIO

Supporting wall fixation



INGENIO

Universal fixation :
Supporting ground and/or supporting wall



INGENIO CISTERN FRAME

Designed for the professional installer

Fast installation

- Concealed light wall installation
- Structure load bearing to 400kg
- Feet delivered in the installation position
- Self-braking vertical adjustment accurate height setting
- Snap & click, wall mounting rods
- Dual flush, on site adjustable mechanical flushing
- Inlet valve:
 - Compact 95L
 - QUIETO delayed action ultra quiet inlet valve 9 dB
- Insulated cistern with protection against foreign bodies
- Secure water connection inside the cistern, built-in stop valve accessible through flush plate.

Includes 90° drain connection kit :

- HDPE Ø 90 mm male
- HDPE Ø 100 mm male
- HDPE Ø 110 mm male
- PVC Ø 100 mm male

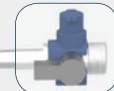
QUIETO OD the solution for the quietest filling on the market, acoustic level of only 9 dB

INNO SIAMP

A unique combination that allows the flow of water whilst gradually reducing the pressure.

STRAIGHT STOP VALVE

- Allows a continuous water flow unlike an angled stopcock.
- Integrated flexible pipe.



CURVED

Accompanies the water flow.

TINY MARBLES

A case full of tiny marbles reduces the water flow pressure entering in the inlet valve.

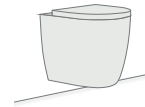


DELAYED ACTION OPENING INLET VALVE

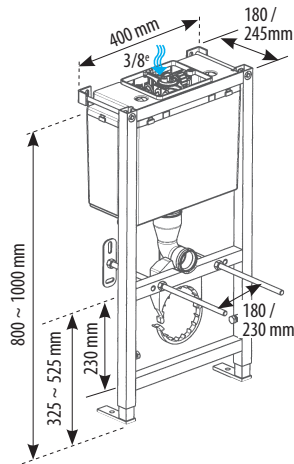
- Water saving.



WALL HUNG SANITARYWARE LOW HEIGHT - LIGHT WALL



VERSO 800 Supporting wall fixation



VERSO 800 CISTERN FRAME

Small & compact

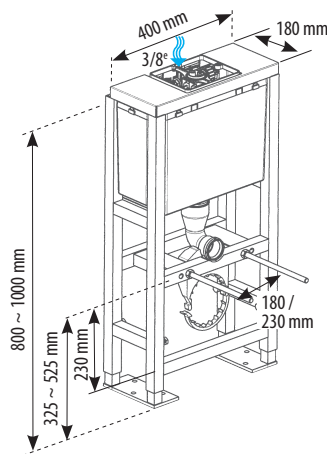
Secure water connection inside the cistern

- Concealed light wall installation
- Structure load bearing to 400kg
- Dual flush, onsite adjustable mechanical flushing
- Insulated to prevent condensation
- Fill valves:
 - Compact 95L
 - Compact 95 L delayed action
- Brass stop valve

Optional drain connection kit:

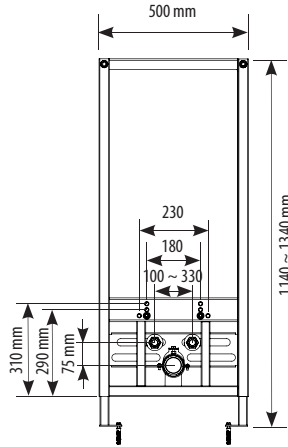
- HDPE Ø 90 mm male
- HDPE Ø 100 mm male
- HDPE Ø 110 mm male
- PVC Ø 100 mm male

VERSO 800 Supporting ground fixation





WALL HUNG SANITARYWARE STANDARD HEIGHT - LIGHT WALL

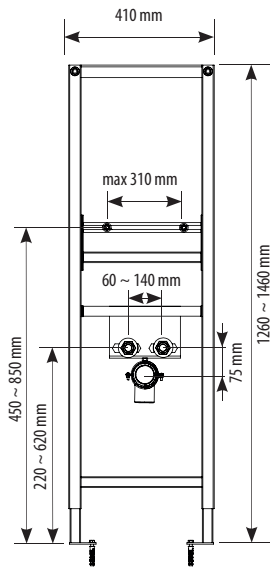


BIDET LIGHT WALL

Ultra adjustable

400 kg resistance

- Concealed light wall installation
- Supporting wall fixing structure load bearing to 400 kg
- Bidet height adjustment
- Variable distance for fixing bolts
- Water supply and drainage connections included

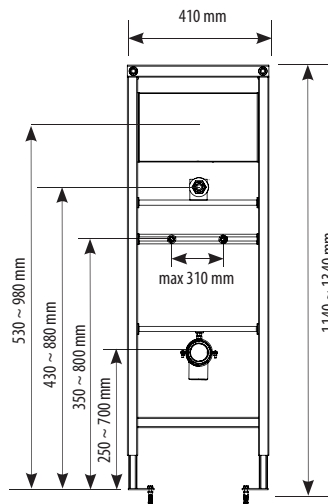


WASHBASIN LIGHT WALL

Ultra adjustable

150 kg resistance

- Concealed light wall installation
- Supporting wall fixing structure load bearing to 150 kg
- Washbasin height adjustment
- Variable distance for fixing bolts
- Water supply and drainage connections included



URINAL LIGHT WALL

Ultra adjustable

150 kg resistance

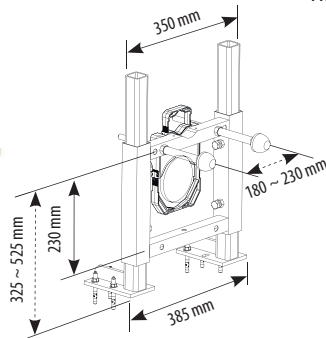
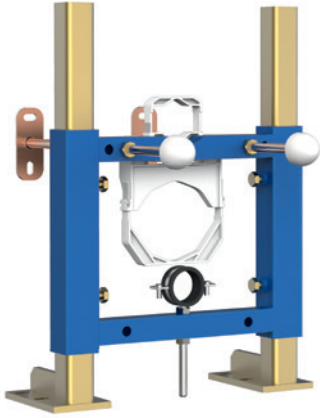
- Concealed light wall installation
- Supporting wall fixing structure load bearing to 150 kg
- Urinal height adjustment
- Variable distance for fixing bolts
- Water supply and drainage connections included

HYBRID WC - BIDET FRAME



SCB 350

Supporting ground & supporting wall fixation



SCB 350 WC / BIDET FRAME

Multipurpose frame

- **Structure load bearing to 400kg**
- Accepts flush supply sleeves from Ø30 to Ø50mm
- Accepts WC drain connections from Ø90 to Ø120mm
- Accepts bidet drain connection from Ø38 to Ø45mm

WALL HUNG SANITARYWARE LOW HEIGHT - FURNITURE



CE
EN 14055
Type 1 or 2

INTRA FURNITURE + SCB 350

**Compact
Self-supporting**

INTRA FURNITURE

- Concealed furniture installation
- **Mechanical or pneumatic**, double or simple flush front commands
- Adjustable double flush outlet valve
- Adjustable noiseless float valve

SCB 350

- Self-supporting structure load bearing to 400kg
- Accepts flush supply sleeves from Ø30 to Ø50mm
- Accepts WC drain connections from Ø90 to Ø120mm



WALL HUNG SANITARYWARE LOW HEIGHT - FURNITURE



790

Supporting wall fixation



BCM 790

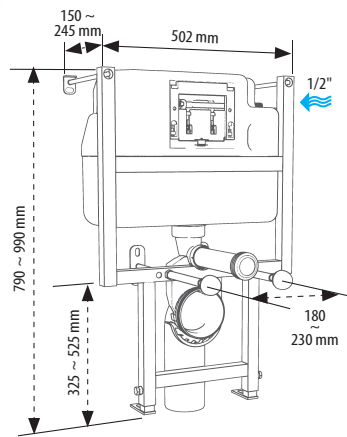
The low height solution

Ideal for below windows & cloakrooms

- **Wall fixing structure load bearing to 400 kg**
- Dual flush, on site adjustable mechanical flushing
- Inlet valve:
 - Compact 95L
 - Compact 95L delayed action
- Brass stop valve
- Insulated to prevent condensation

Optional drain connection kit :

- HDPE Ø 90 mm male
- HDPE Ø 100 mm male
- HDPE Ø 110 mm male
- PVC Ø 100 mm male

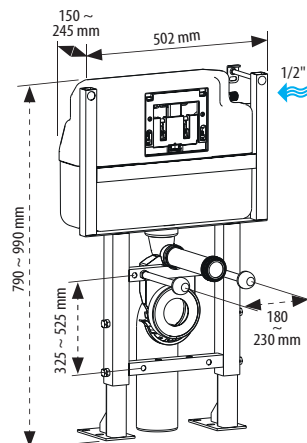


790

Supporting ground fixation



Low Self-supporting



FLUSH PLATES

FLUSHING OPTIONS:

AUTOMATIC OPERATION:

This system is the preferred solution for public places to ensure that the WC will always be clean and available for the next use.

Those touchless flush plates prevent bacteria transmission.

MECHANICAL ACTUATION:

The most popular flushing mode on the market, efficient flushing and simplicity of installation.

REMOTE:

Designed to place the flush actuator at hand reach. To ease the flushing, buttons can protrude for palm or fist pushing. A complete range adapted to diminished people.

INSPIRED COLLECTIONS:

DESIGN: Available in different models and various decorative finishes, lightweight and resistant to shocks.

MATERIAL: The purity of tempered glass with its clean forms, the Reflet range offers elegant control plates with depth effects. Resistant and noble metal alloy bring consistence to SMART.

CREATIVE: Following current trends, our range of creative plates will allow you to achieve a welcoming and original look thanks to a choice of colours and styles.

ESSENTIAL: Simple but effective, lightweight and resistant to shocks.



AUTOMATIC

p . 26



AUTOMATIC FLUSHPLATE

p. 26

MECHANICAL

p . 26 / 27

MATERIAL



REFLET 90/360

p. 26



SMART

p. 26

CREATIVE



ALBUM 90/360

p. 26

DESIGN



SPHERE

p. 26



SQUARE

p. 27



SMARTY

p. 27



SEGMENT

p. 27



GLOBE

p. 27

ESSENTIAL



YIN YANG

p. 27



MEDIA

p. 27



MOON

p. 27



LEMON

p. 27



LEAF

ANTI-VANDALE



MONVOLUME ANTI-VANDALE

p. 28

ON THE TOP



VERSO 800

p. 28

REMOTE

p . 28



PNEUMATIC COMMAND

p. 28



CLOSING PLATES

p. 28



CABLE COMMAND

p. 28



FLUSH PLATE vs CISTERNS

INGENIO exclusive

AUTOMATIC flush plate - Glass & Light



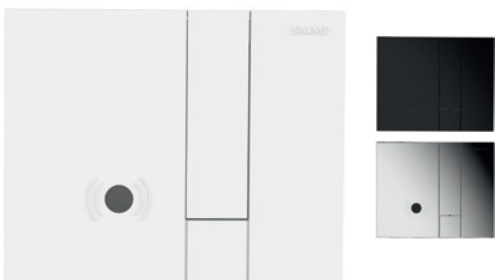
New



AUTOMATIC flush plate - Glass



AUTOMATIC flush plate - ABS



DESIGN Sphère - ABS



INTRASLIM / INGENIO / 536 / 790

MATERIAL Reflet 360 - Glass



MATERIAL Reflet 90 - Glass



MATERIAL Smart - Aluminium alloy



CREATIVE Album 360 - Wood

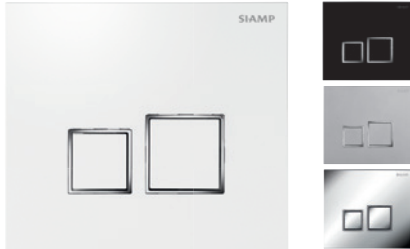


CREATIVE Album 90 - Wood



INTRASLIM / INGENIO / 536 / 790

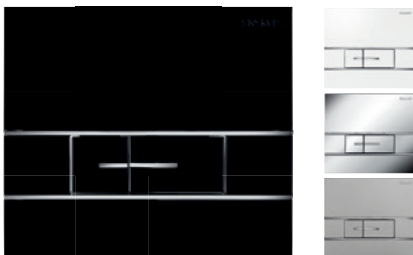
DESIGN Square - ABS



DESIGN Smarty - ABS



DESIGN Segment - ABS



DESIGN Globe - ABS



INTRASLIM / 536 / 790

ESSENTIAL Yin Yang - ABS



ESSENTIAL Media - ABS



ESSENTIAL Moon - ABS



ESSENTIAL Lemon - ABS



ESSENTIAL Leaf - ABS



FLUSH PLATE

VANDALPROOF

Monovolume



Adapted to Intralim,
536, 790

ON THE TOP

Verso 800



Adapted to Verso 800

REMOTE

Pneumatic command

Recessed/
Leveled buttons



Recessed/
Overtaking button



Leveled/
Overtaking button



Vandal proof



White finish



Bright chrome finish



Adapted to Intralim, Intra

Closing plates

Glass or metal



Stainless steel



Adapted to Intralim, Intra

Cable command

V2 D50



Ø 50 mm

V1 D50



Ø 50 mm

V2 D40



Ø 40 mm

V1 D40



Ø 40 mm

Adapted to Intra